

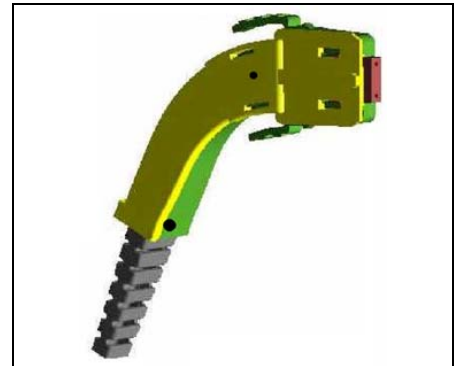
SMC™ SB Connector Jumper

V23867-+xx91-+yyy

Preliminary Data

Features

- Ultra-flat and special bent connector body with $R_{min} = 20$
- Minimal radius allows nearly 90° bend & twist of cable
- Soft boot for small bend & twist also outside of the body
- Connector plug contains strain relief for ribbon cable
- Spring loaded ferrule in the direction of the optical axis
- Reliable two-sided ESCON® -like latching mechanism
- Uniform pressure of connector endface to mated device
- Integrated mechanical keying
- Lateral guidance of connector housing when mating in an SMC adapter or a module receptacle
- Pins for optical alignment precision (male version)



Description

The connector type SMC is an optical multifiber connector which is characterized by a standardized MT ferrule interface for up to 12 fibers (fiber pitch is 250 μm). It was developed by Siemens/Infineon and designed for the PAROLI® module port.

The SMC SB is primarily designed for restricted space applications putting the main emphasis on to protect the optical fibers in the body (see also section Application Note). The plug is part of a whole SMC product family to be applied for various state-of-the-art connectivity solutions and even future optical networking technologies.

The MT ferrule characteristics meet the requirements of the international standards IEC 60874-16 and IEC 61754-5. The SMC interface is proposed to be adopted by TIA as fiber optic connector intermateability standard TIA/EIA-604-14 (FOCIS-14), Ref. SP-4834.

SMC™ is a trademark of Infineon Technologies; PAROLI® is a registered trademark of Infineon Technologies
 ESCON® is a registered trademark of IBM

Part Number	
V23867-+xx91-+yyy	SMC (f) - SMC (f) jumper with simplex ribbon cable ¹⁾

¹⁾ (f): female; +xx: cable code; +yyy: length code.

Technical Data
Absolute Maximum Ratings

Parameter	Limit Values		Unit
	min.	max.	
Operating Temperature	-20	70	°C
Storage/Shipping Temperature	-40	70	

Parameter	Limit Values		Unit
	typ.	max.	
IL/per fiber, MM ¹⁾	≤ 0.2	0.75	dB
Durability/Matings		200	times
Repeatability	≤ 0.2		Δ dB
Cable Retention Force ²⁾		33	N
Latch Retention F. Axial Pull Force ³⁾	to be ignored here, no practical importance		
Side Pull Force ³⁾	1	10	N
Off-axis Pull Force ³⁾	1	2	
Insertion Force	18	30	
Withdrawal Force	4	7	
Flammability	min. UL94 V-1		
Ferrule Dimensions	8.0 x 6.4 x 2.45		mm
Ferrule Endface	flat polished, fiber protrusion		
Housing Color	black or beige		

¹⁾ Insertion Loss, multimode.

²⁾ Cable-to-connector, installation.

³⁾ With respect to module orientation, see drawing, (typ. ≡ long term, max. ≡ short term).

Materials

Materials

Part	Material
Housing	PBT, UL 94 V-0
Ferrule	Mineral filled thermoset epoxy
Spring	Stainless steel
Pin	Stainless steel (male version)
Pin Holder	
Strain relief	Cu, glue
Boot	TPR, black, UL 94 V-1
Dust Cap	

Application Note

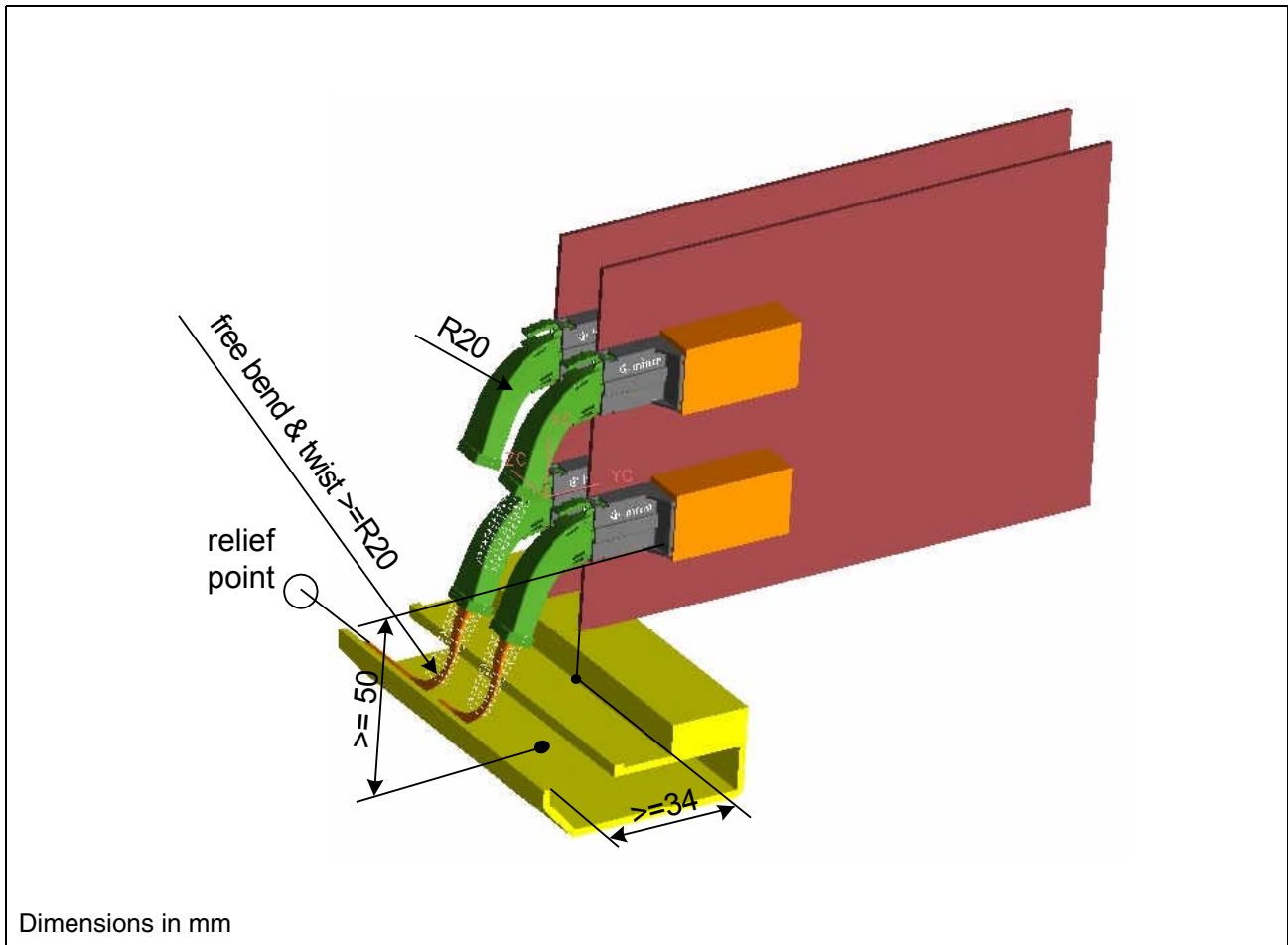


Figure 1 Example of Board with PAROLI® Modules and 4 SMC SB Connectors

Notes:

- The cable boot (drawn in white broken lines) is made of a soft plastic material which allows it, on the one hand, to follow the cable bend movement in the channel nestling against the cable jacket. But on the other hand it prevents the cable from a too small bend radius.
- The bend of the connector housing and of the fiber ribbon inside is $R = 20$ mm. The same value is applied for twist & bend when guiding the cable to the cable track.
- The small bend radius is only allowed assuming that there is no additional stress (e.g. pull strain). Therefore the cable(s) should be relieved at a central relief point to avoid damages in the fiber and in the connector/module receptacle due to pull forces higher than allowed in the specification.

Package Outlines

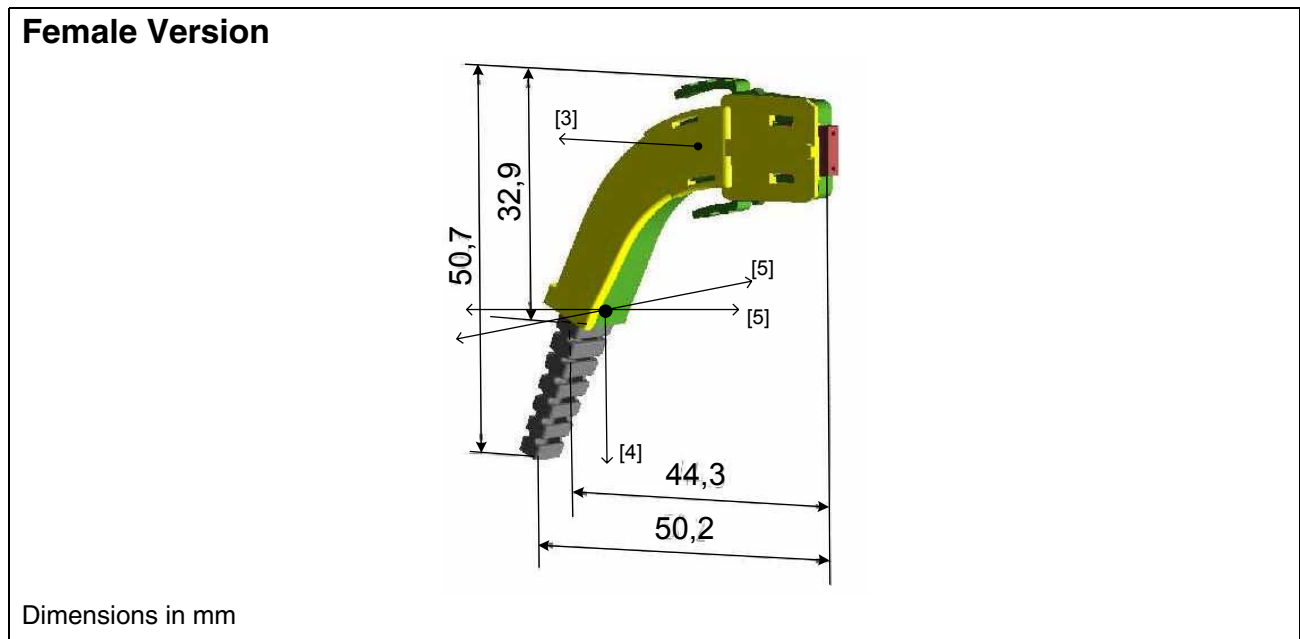


Figure 2

Previous Version:

Page	Subjects (major changes since last revision)
	Document's layout has been changed: 2002-Aug.

For questions on technology, delivery and prices please contact the Infineon Technologies Offices in Germany or the Infineon Technologies Companies and Representatives worldwide: see our webpage at <http://www.infineon.com>.

Edition 2001-12-01

**Published by Infineon Technologies AG,
St.-Martin-Strasse 53,
D-81541 München, Germany**

**© Infineon Technologies AG 2002.
All Rights Reserved.**

Attention please!

The information herein is given to describe certain components and shall not be considered as warranted characteristics.

Terms of delivery and rights to technical change reserved.

We hereby disclaim any and all warranties, including but not limited to warranties of non-infringement, regarding circuits, descriptions and charts stated herein.

Infineon Technologies is an approved CECC manufacturer.

Information

For further information on technology, delivery terms and conditions and prices please contact your nearest Infineon Technologies Office in Germany or our Infineon Technologies Representatives worldwide.

Warnings

Due to technical requirements components may contain dangerous substances. For information on the types in question please contact your nearest Infineon Technologies Office.

Infineon Technologies Components may only be used in life-support devices or systems with the express written approval of Infineon Technologies, if a failure of such components can reasonably be expected to cause the failure of that life-support device or system, or to affect the safety or effectiveness of that device or system. Life-support devices or systems are intended to be implanted in the human body, or to support and/or maintain and sustain and/or protect human life. If they fail, it is reasonable to assume that the health of the user or other persons may be endangered.